

## **SilvPAC<sup>®</sup> LM/BF-15<sup>™</sup> and LM/BF-20<sup>™</sup>** **Stationary Cathode Silver Recovery Units**

SilvPAC LM/BF-15 and LM/BF-20 stationary cathode silver recovery systems are designed for professional, commercial, and mini labs. These innovative units desilver EZ bleach-fix (regenerated RA bleach-fix), or NR type bleach-fix combined with low-flow wash and overflow C-41 fixer. E-6 may also be added to the above processing solutions. The LM/BF-15 is ideal for large volume mini labs to desilver bleach-fix, washless paper stabilizer, fixer, and washless film stabilizer.

The LM/BF-15 and LM/BF-20 use a uniquely designed stationary cathode that simplifies desilvering. These automatic electrolytic silver recovery systems can recover up to 95% of available silver using a "batch" process. Both the LM/BF-15 and LM/BF-20 units include a collection tank, batch tank, transfer pumps, liquid level switches and automatic controls.



LM/BF-20

### **Features and Benefits**

- Digital microprocessor controls with automatic current setback
- Internal caustic doser controls
- Protected electronics
- Simple installation
- Requires minimal maintenance



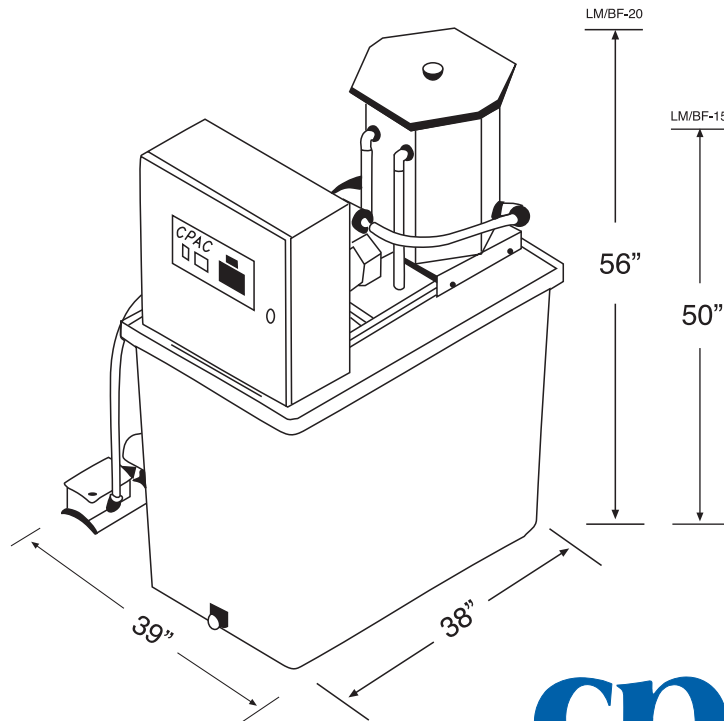
## Product Information

### Materials of Construction

- Stainless steel cathode
- Fiberglass cell tank
- Carbon anodes
- Plastic shrouds
- DIN rail electrical components

### Specifications

	<b>LM/BF-20</b>	<b>LM/BF-15</b>
Desilvering Time:	6-8 hours for 40 gallons (151 liters)	6-8 hours for 25 gallons (95 liters)
Recovery Rate:	2 TO/hr (62 gm/hr)	1.5 TO/hr (47 gm/hr)
Typical Application:	Up to 120 gallons per day (24 hrs)	Up to 75 gallons per day (24 hrs)
Unit Dimensions:	38" D x 39" W x 56" H 97 cm x 99 cm x 142 cm	38" D x 39" W x 50" H 97 cm x 99 cm x 127 cm
Electrical Service (CE):	208-240 VAC, 50/60 Hz, 10 Amps	208-240 VAC, 50/60 Hz, 10 Amps
Collection Tank:	50 gallons (189 liters)	33 gallons (125 liters)
Batch Tank:	40 gallons (151 liters)	25 gallons (95 liters)



**cpac**  
Imaging

PHONE (585) 382-3223  
FAX (585) 382-9481